

**FZ Oil Sintered Bearing** is made of bronze or iron or stainless steel powder with lubricating oil vacuum sintered. It is mold pressed by high pressure then sintered in high temperature, after that, put it in high temperature vacuum and soaked in oil. This bearing is used in electrical appliances, power tools, textiles machinery and automobile industry. Like electrical fan, electrical motor, juicer, mixture, etc.

**Technical Data**

	FZ21	FZ22	FZ14	FZ11
<b>Bronze Material</b>	CuSn6Zn6Pb3	Cu90Sn10	Cu20-Fe80	Fe
<b>Oil Retaining</b>	12%~18%	19%~24%	17%~19%	12%~18%
<b>Crushing Strength (Radial)</b>	>150MPa (18%) >200MPa (12%)	>130MPa (24%) >180MPa (19%)	>210MPa (19%) >280MPa (17%)	>200MPa (18%) >250MPa (12%)
<b>Max. Linear Speed</b>	4m/s	5m/s	15m/s	10m/s
<b>Max. PV</b>	8 N/mm <sup>2</sup> · m/s	10 N/mm <sup>2</sup> · m/s	8 N/mm <sup>2</sup> · m/s	10 N/mm <sup>2</sup> · m/s
<b>Hardness</b>	HB20~HB50	HB20~HB50	HB30~HB60	HB40~HB70

Products Standard: ISO2795 (DIN1850 Part 3)

**Recommend Tolerance**

Bearing Grade	I.D.	O.D.	Housing	Shaft (max.)	Shaft (min.)
7	G7	r7	H7	e6	d6
8	E8	s8	H8	d7	c7
9	C9	t9	H8	d8	c8

**Typical Models**



Plain Bush



Knurled Bush



Spherical Bronze Bush



Flanged Bush



Square Insert Bush



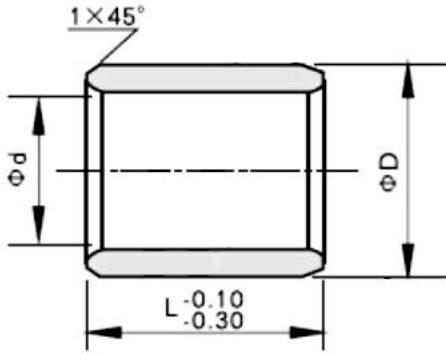
Square Bore Bush



Spherical Iron Bush



Stainless Steel Bush



Unit: mm

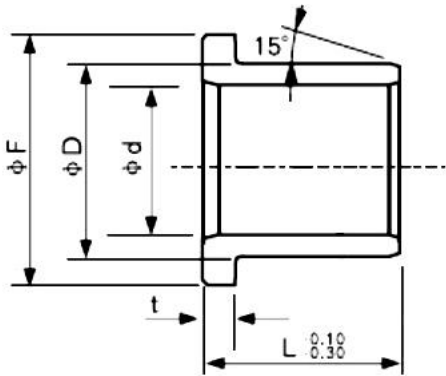
d	D	L
1.5	4	7
2.5	6	8
3	6	5
4	7	8
5	9	5
5	10	10
6	8	8
6	12	16
7	11	8
8	11	16
8	12	10
8	14	8
9	12	8
9	14	16
10	12	10
10	13	12
10	14	15
12	14	16
12	15	18
12	18	25
14	18	15
14	18	22
14	20	25

d	D	L
15	18	12
15	20	15
15	21	30
16	18	22
16	19	19
16	20	28
16	22	30
17	21	22
17	22	25
18	22	30
18	24	30
19	25	25
20	23	24
20	24	30
20	25	40
22	25	35
22	26	28
24	28	30
25	30	20
25	32	35
25	35	40
26	32	30
28	33	22

\*Only parts of sizes list here.

Customized sizes also can be produced.

Ordering :   x  x  =  pcs



Unit: mm

d	D	F	t	L
6	12	14	2	8
6	12	14	2	13
7	12	16	2.5	8
7	12	16	2.5	14
8	14	18	3	14
8	14	18	3	20
10	14	18	2	10
10	16	20	3	20
12	16	20	2	16
12	18	22	3	18
14	20	25	3	20
14	20	25	3	25
15	22	28	3	22
15	22	28	3	30
16	22	28	3.5	15
16	22	28	3.5	30
17	25	32	4	25
17	25	32	4	35

d	D	F	t	L
18	25	32	4	25
20	25	32	4	20
20	25	32	4	30
22	32	40	5	32
22	32	40	5	40
25	32	40	5	35
25	32	40	5	45
30	35	40	3	35
30	40	50	5	42
32	42	48	5	40
32	42	48	5	50
35	45	55	5	35
35	45	55	5	45
40	50	60	6	50
45	55	65	6	45
45	55	65	6	55
50	60	70	6	50
50	60	70	6	60

\*Only part of sizes list here.

Customized sizes also can be produced

Ordering : FZ11/14/21/22 [d] x [D] x [F] x [t] x [L] = [ ] pcs